



1

Calculate the output voltages  $V_2$  and  $V_3$  in the circuit of Fig. 10.72.

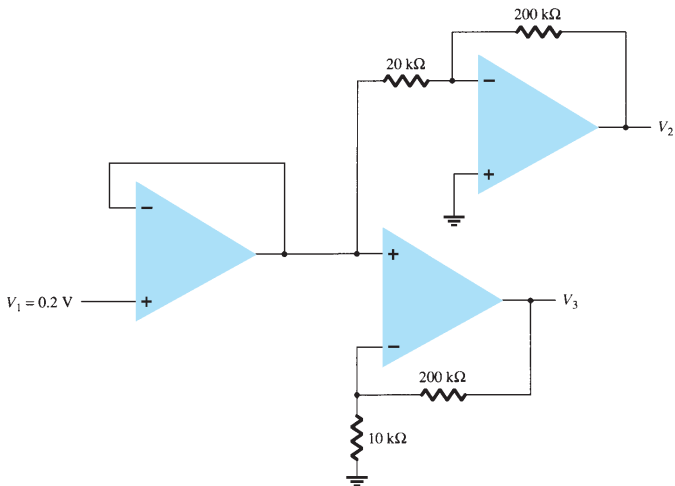


FIG. 10.72



Calculate the output voltage  $V_O$  developed by the circuit of Fig. 10.74.

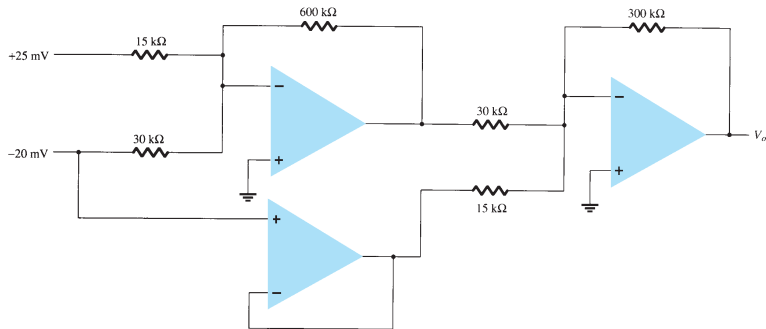


FIG. 10.74

Calculate the output voltage  $V_O$  in the circuit of Fig. 11.49.

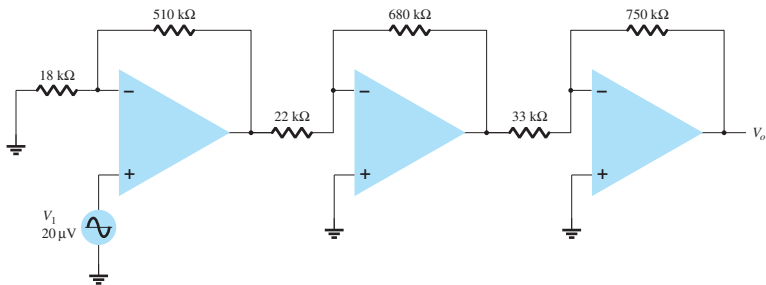


FIG. 11.49