



1

Determine  $V_D$  and  $V_{GS}$  for the fixed-bias configurations of Fig. 7.78 and Fig. 7.79.

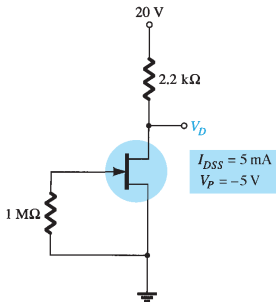


FIG. 7.78

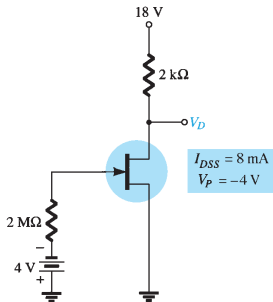
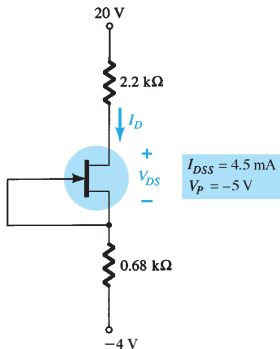


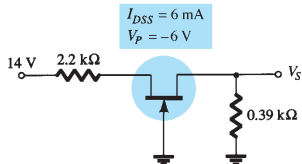
FIG. 7.79



Find  $V_S$  for the networks of Fig. 7.83 and Fig. 7.84.



**FIG. 7.83**



**FIG. 7.84**



### 3

For the network of Fig. 7.96, determine:

- a.  $V_G$  .
- b.  $V_{GSQ}$  and  $I_{DQ}$  .
- c.  $I_E$  .
- d.  $I_B$  .
- e.  $V_D$  .
- f.  $V_C$  .

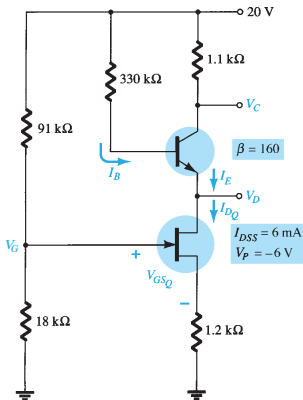


FIG. 7.96