

Homework 1

(1)

For the circuit shown in Figure:1, determine: (a) the voltage v_0 (b) the power supplied by the circuit source (c) the power absorbed by each resistor.

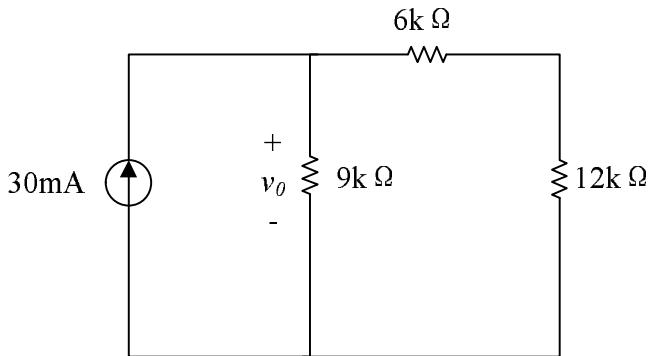


Figure: 1

(2)
 Find the equivalent conductance G_{ab} for the circuit in Figure:2

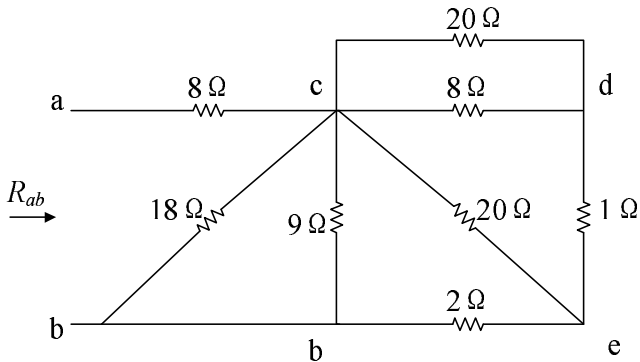


Figure: 2

(3)

For the equivalent circuit of transistor amplifier circuit in Figure:3, please show the relationship between current and voltage at the port.

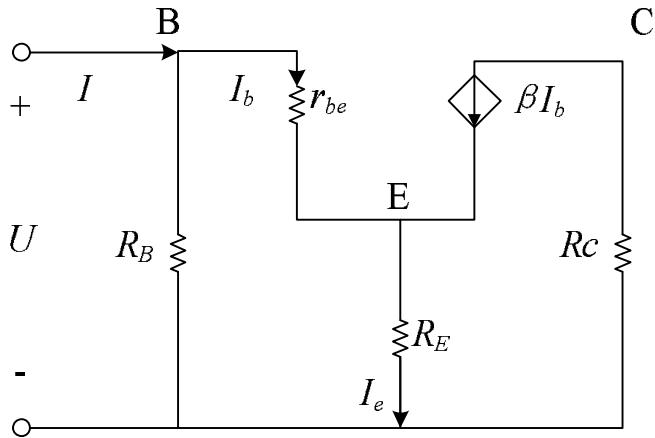


Figure: 3